

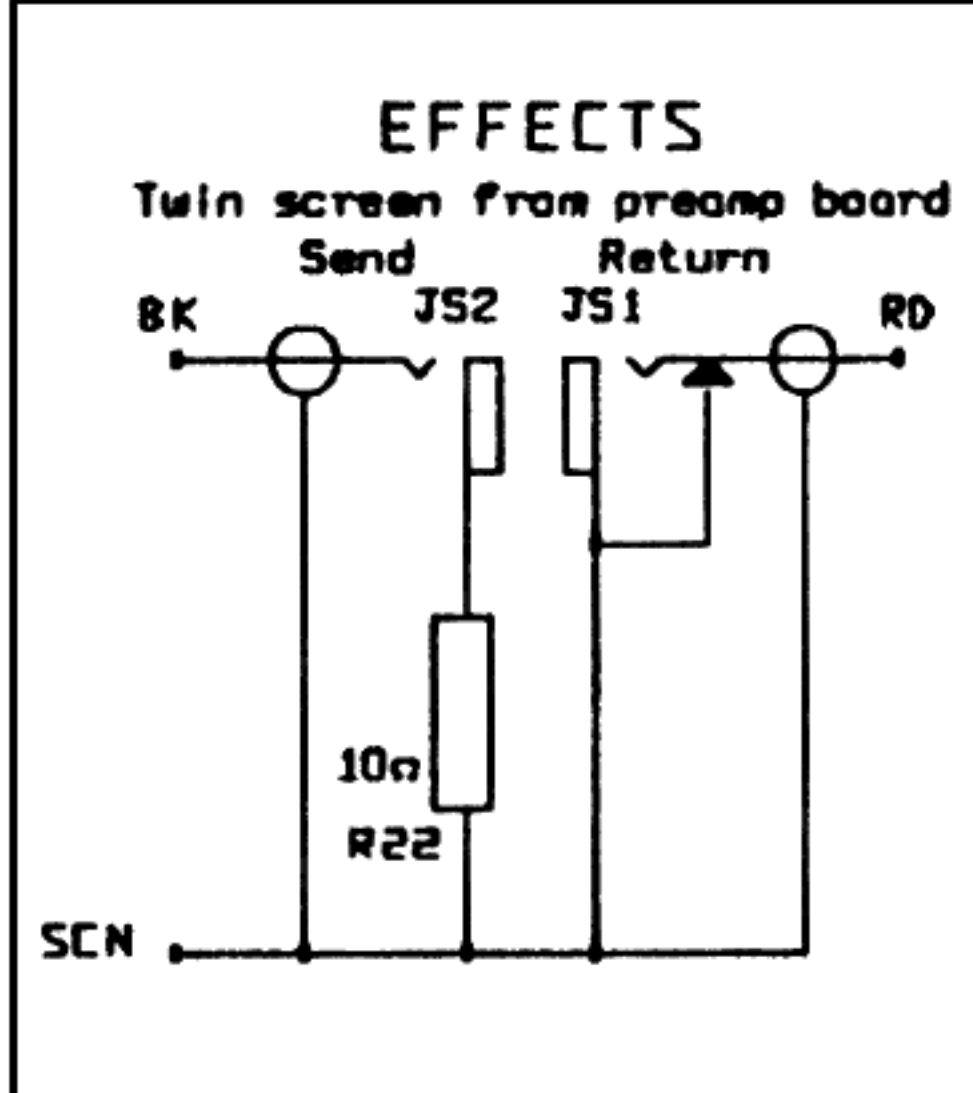
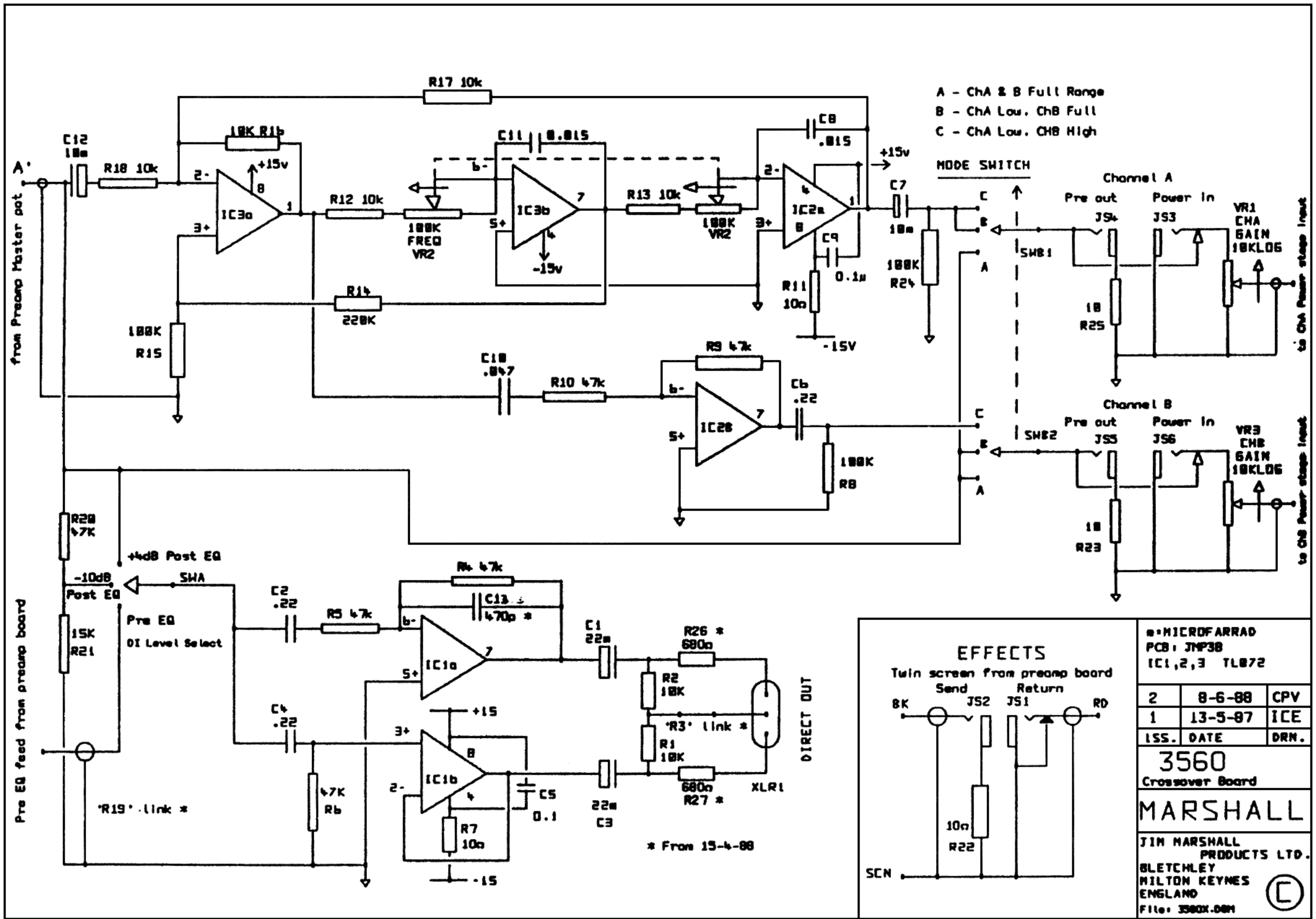
Notes:
 PCB: JMP4C
 (Top Board)
 All MPSA06s are
 selected type

2	17-5-88	CPV
1	21/5/87	ICE
ISS. DATE		DRN.

DRAWING NUMBER
3560 STD
 ChB Power Stage

MARSHALL

JIM MARSHALL
 PRODUCTS LTD.
 BLETCHLEY
 MILTON KEYNES
 ENGLAND
 File: 3560PWRB.DGM



* MICROFARRAD
 PCB: JNP38
 IC1,2,3 TLB72

2	8-6-88	CPV
1	13-5-87	ICE
ISS. DATE		DRN.

3560
 Crossover Board
MARSHALL
 JIM MARSHALL
 PRODUCTS LTD.
 BLETCHLEY
 MILTON KEYNES
 ENGLAND
 File: 3560X.D01

