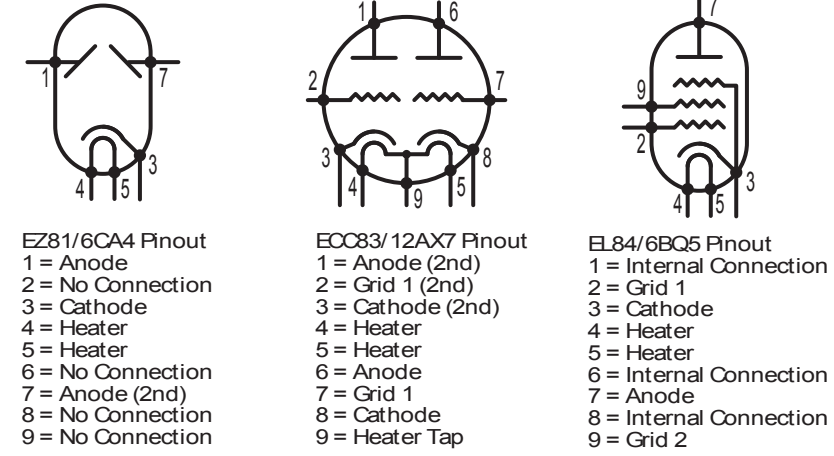
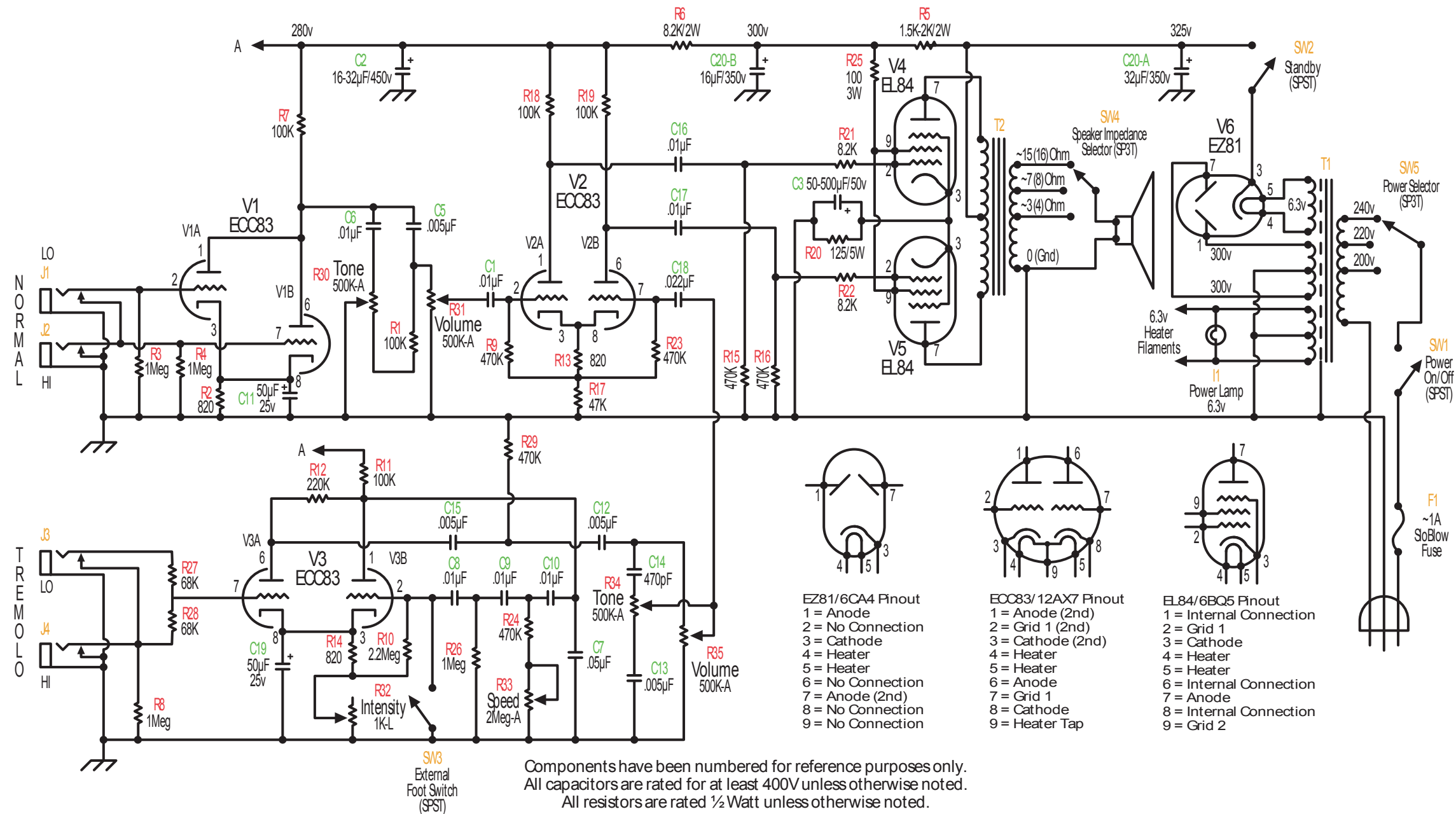


Marshall 18 Watt Combo Schematic

Revision 5



Notes:

- Some 18Watt Marshall combos came equipped with 1Meg Volume and Tone Potentiometers (R30, 31, 34, 35).
- Components with more than one value (R5, C2, C3) are the result of production variations. The differing values listed have been observed in authentic unmodified examples of this amplifier circuit. Experiment!
- Capacitor C4 has been intentionally omitted from the numbering scheme. Stop looking. :^)

Filament Connections

Note: Pins 4 and 5 of V6 (EZ81) Rectifier connect to a separate 6.3v filament supply as illustrated in the main schematic.

WARNING!

This document is distributed for educational purposes ONLY. The components specified in this schematic utilize POTENTIALLY FATAL HIGH VOLTAGES. Maintenance and repair of all equipment utilizing hazardous voltages must be referred to a properly trained and qualified technician. PedalMonkey.com expressly disclaim all liability for injury or property damage resulting from the misuse of any information contained in this document.

This document and the illustrations contained herein are the property of PedalMonkey. Permission is not granted to make printed copies of this document or any portion thereof for the purpose of distribution. Further, electronic distribution of this document from any domain other than www.pedalmonkey.com without the expressed permission of PedalMonkey is prohibited. The name Marshall is the property of Marshall Amplification.

© 2001 PedalMonkey