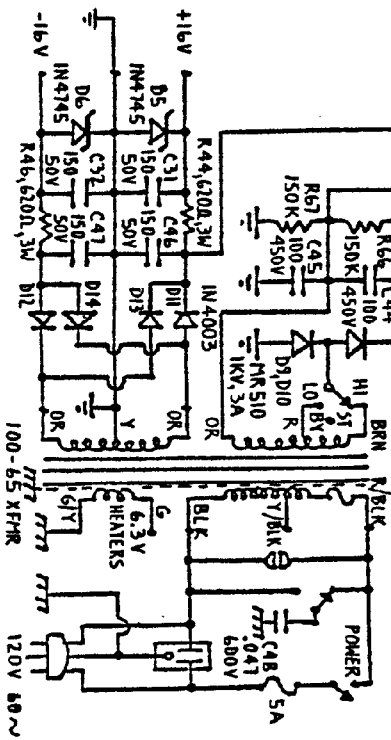
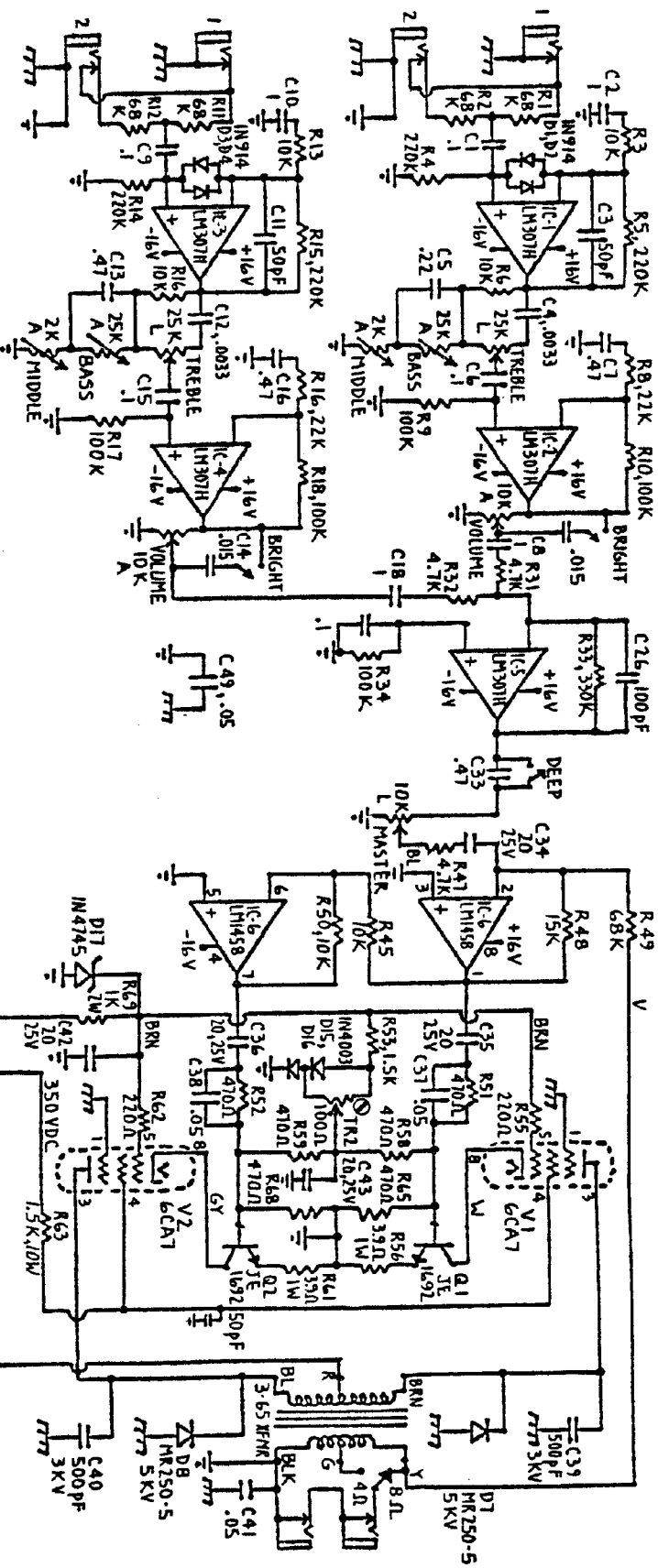




# **Amplifier Schematics**

Chassis Number: 2100-65





CHASSIS № 2100-65

MUSIC MAN INC.  
ANAHEIM, CA.