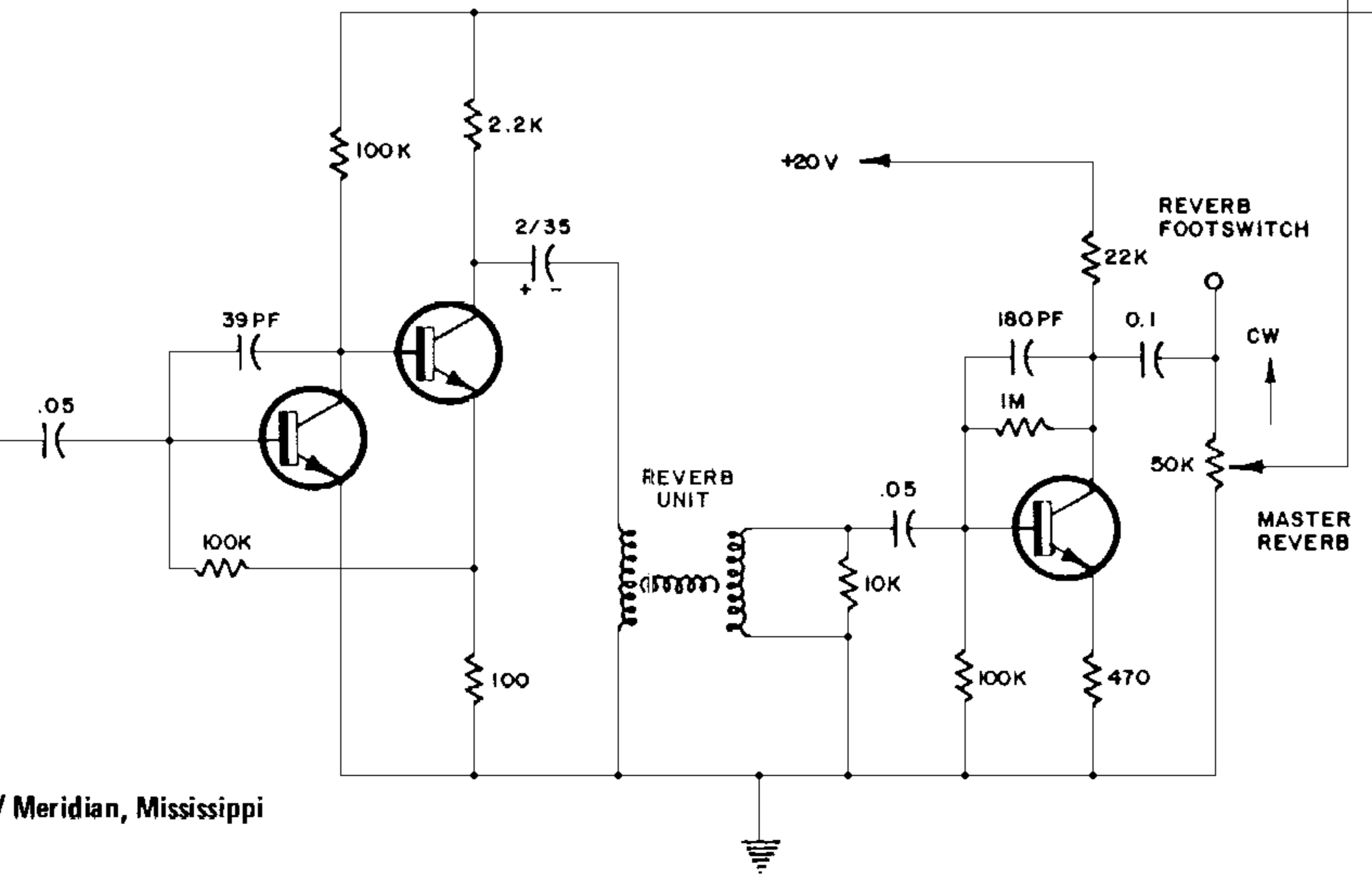
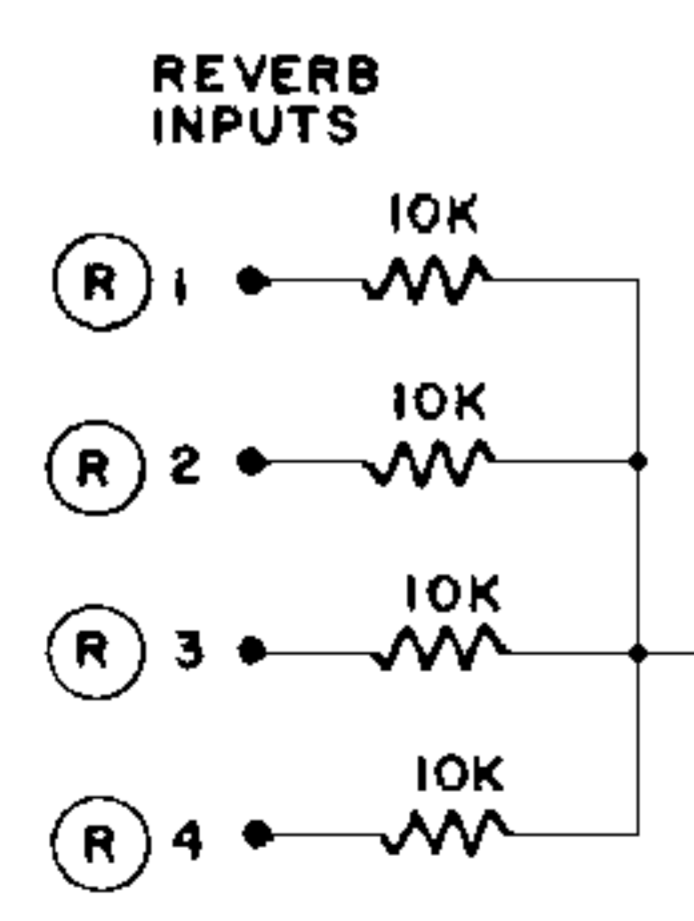
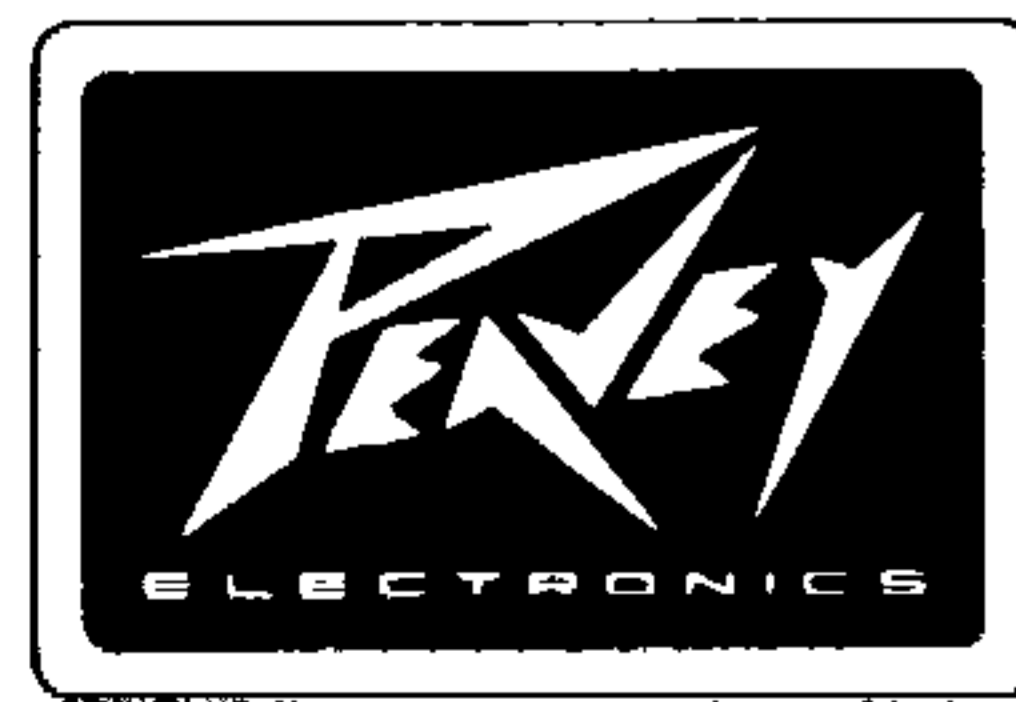


INDICATES TYPICAL CHANNEL



**NOTE:**  
 ALL TRANSISTORS SPS 953 UNLESS OTHERWISE NOTED  
 ALL RESISTORS 1/2W UNLESS OTHERWISE NOTED  
 ALL CAPACITORS IN MFD UNLESS OTHERWISE NOTED



P/N 81515120