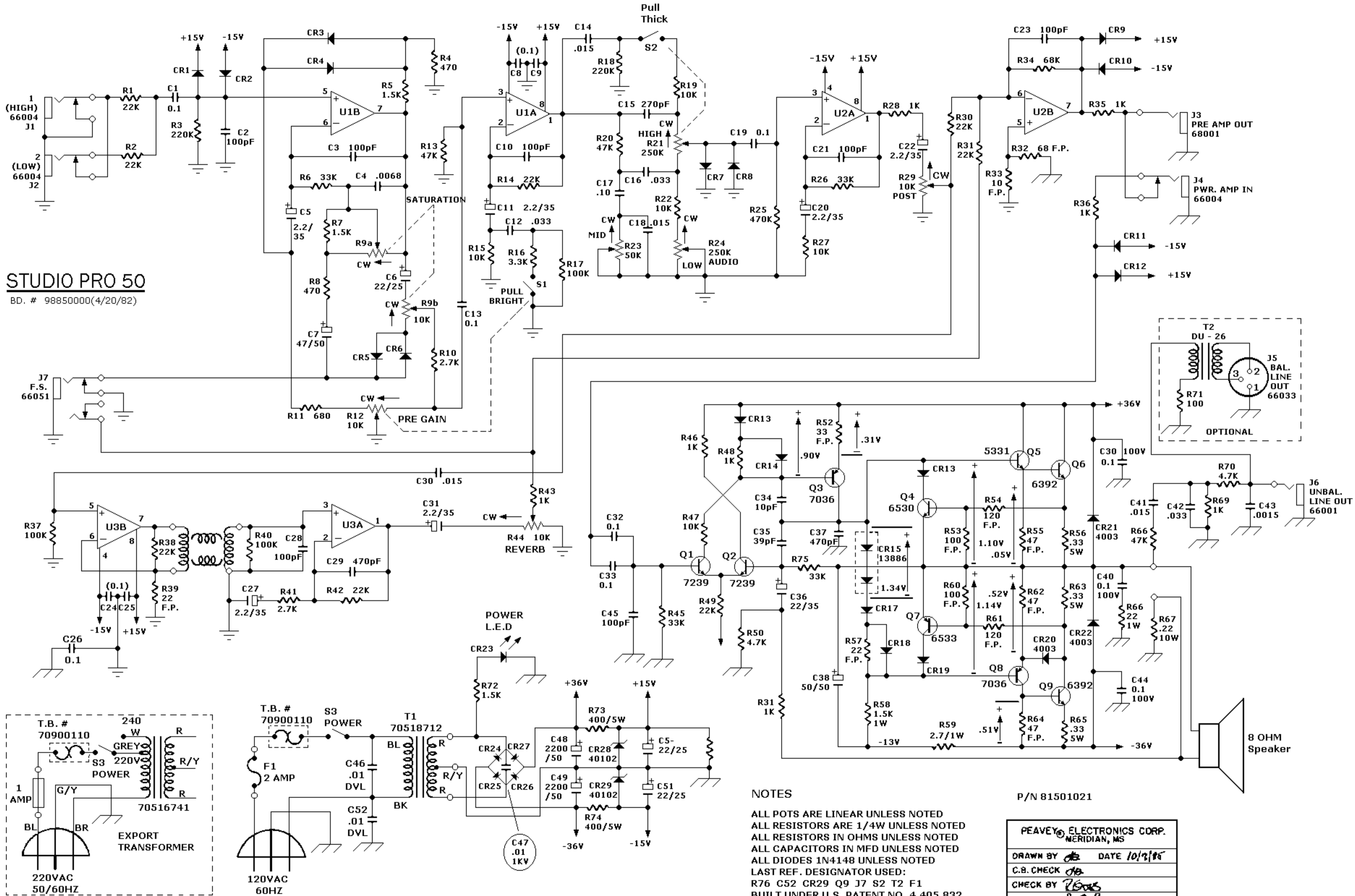


STUDIO PRO 50
BD. # 98850000(4/20/82)



NOTES
 ALL POTS ARE LINEAR UNLESS NOTED
 ALL RESISTORS ARE 1/4W UNLESS NOTED
 ALL RESISTORS IN OHMS UNLESS NOTED
 ALL CAPACITORS IN MFD UNLESS NOTED
 ALL DIODES 1N4148 UNLESS NOTED
 LAST REF. DESIGNATOR USED:
 R76 C52 CR29 Q9 J7 S2 T2 F1
 BUILT UNDER U.S. PATENT NO. 4,405,832

P/N 81501021
PEAVEY ELECTRONICS CORP.
 MERIDIAN, MS
 DRAWN BY *JA* DATE 10/2/75
 C.B. CHECK *JA*
 CHECK BY *JB*
 APPR. BY *Jed*