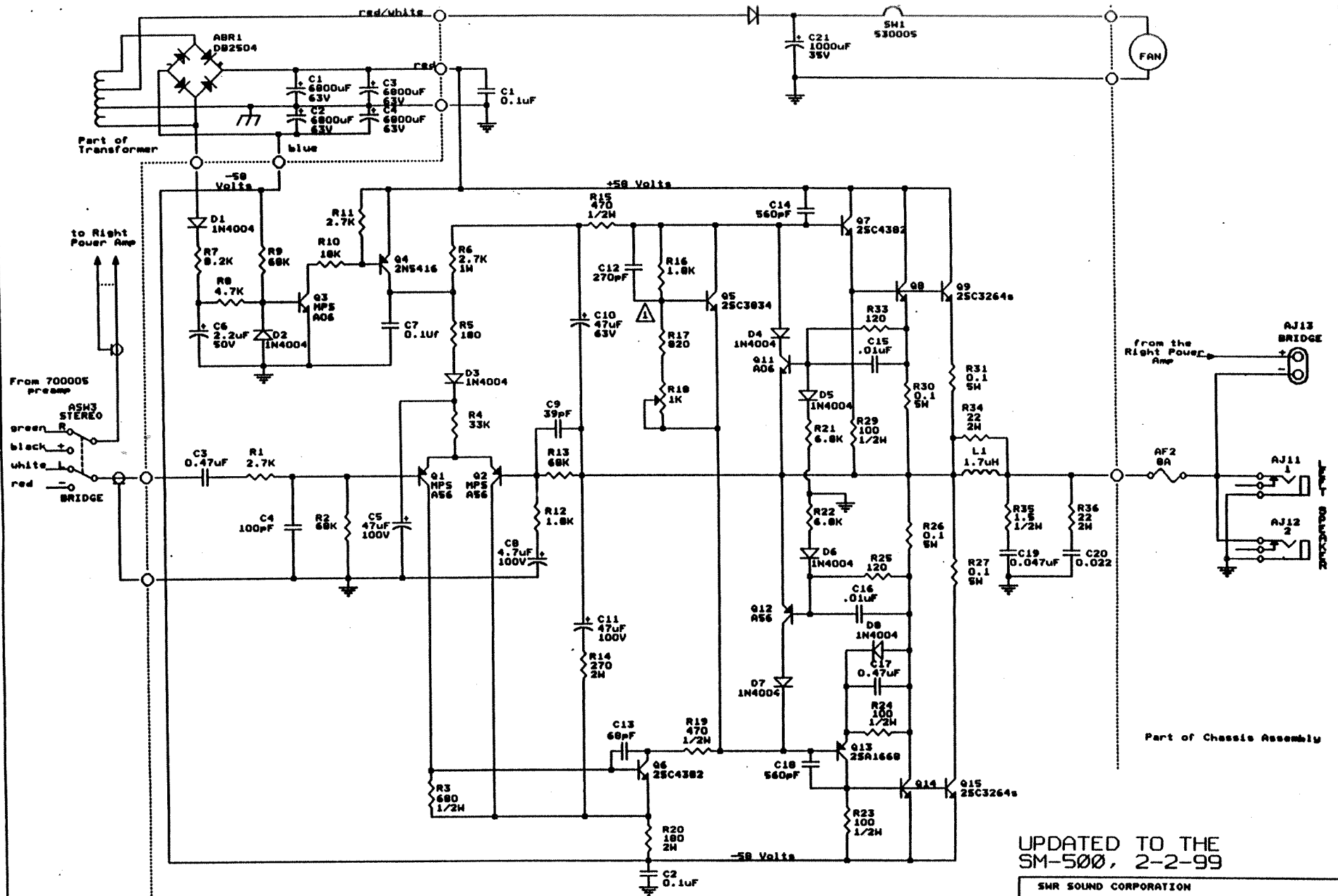


BAND	RX1	RX2	CX1	CX2
1	1K	1K	.47	.1
2	470	1K	.15	.047
3	470	820	.068	.022
4	680	1K	.033	.01

NOTES: UNLESS OTHERWISE SPECIFIED.
 1. ALL DIODES 1N914.
 2. ALL I.C.'S TLO72 ACP.
 3. ALL RESISTORS 1/4W, 5%
 4. ALL CAPACITORS IN MICRO-FARAD.

SWR ENGINEERING, INC.
 12823 Foothill Blvd. Unit F
 SYLMAR, CALIFORNIA 91342

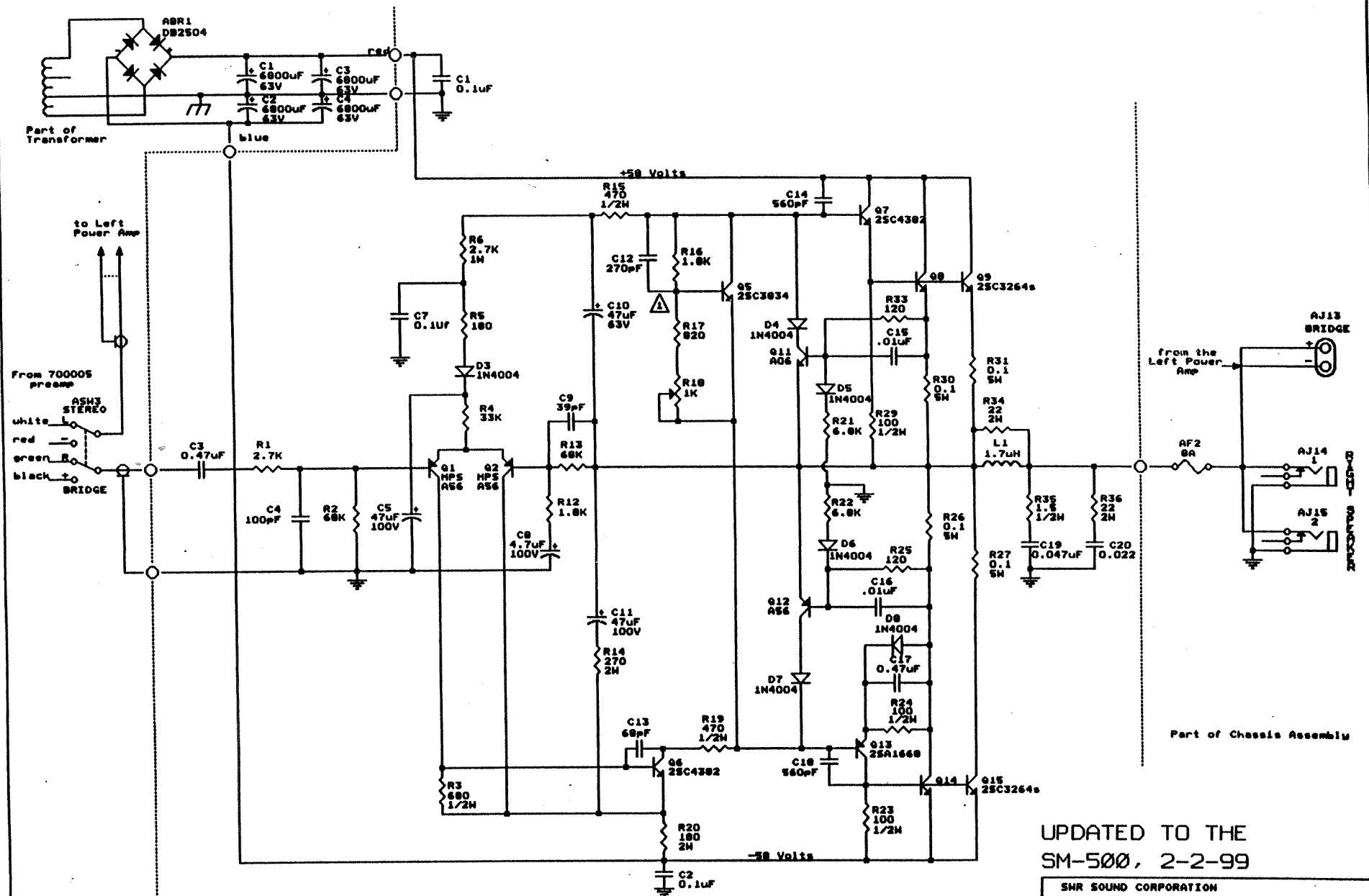
PREAMP SCHEMATIC
 SM-400
 JULY 14, 1989 PCB# 170003
 DESIGNED & DWN: S.W. RABE
 SHEET 1 OF 2 #1005



UPDATED TO THE
SM-500, 2-2-99

3. Reference designators with an A prefix are part of the chassis sub-assembly.
 2. Resistors are in Ohms, 1/4 Watt.
- ⚠ R16 and 17 values may change due to Q5 beta.
- NOTES (Unless otherwise indicated):

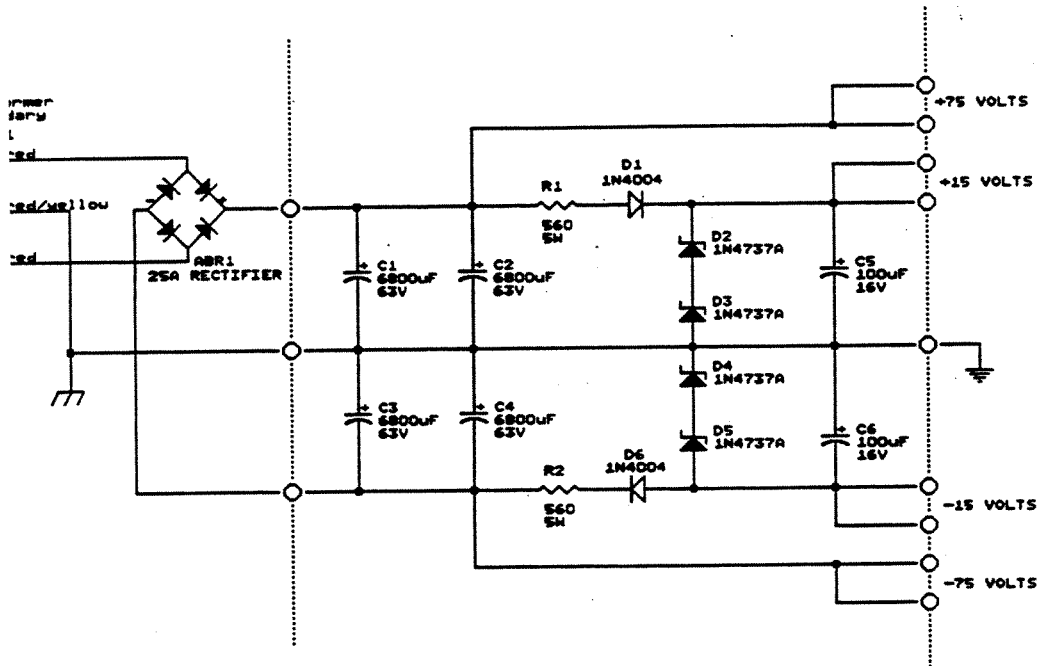
SHR SOUND CORPORATION	
9130 Glenoaks Blvd.	
Sun Valley, CA 91352	
TEL:(818)253-4797 FAX:(818)253-4799	
http://www.shr.com	
Title	LEFT POWER AMP - SM-400
Size	Document Number
B	700001-400
Date	June 29, 1999 Sheet 1 of 1



UPDATED TO THE
SM-500, 2-2-99

3. Reference designators with an A prefix are part of the chassis sub-assembly.
 2. Resistors are in Ohms, 1/4 Watt.
- ⚠ R16 and 17 values may change due to Q5 beta.
- NOTES (Unless otherwise indicated)

SHR SOUND CORPORATION	
9130 Glenoaks Blvd. Sun Valley, CA 91352	
TEL:(818)253-4797 FAX:(818)253-4799	
http://www.shrcorp.com	
Title	
RIGHT POWER AMP - SM-400	
Size	Document Number
B	700004
Date	June 29, 1999 Sheet 1 of 1



SMR SOUND CORPORATION
 9130 Glenoaks Blvd.
 Sun Valley, CA 91352
 PHONE: (818) 253-4797 FAX: (818) 253-4799
<http://www.sureng.com>
 Title
 Power Supply Filter Board - SM-400
 Size Document Number REV
 A 700006-400 B
 Date: July 2, 1999 Sheet 1 of 1