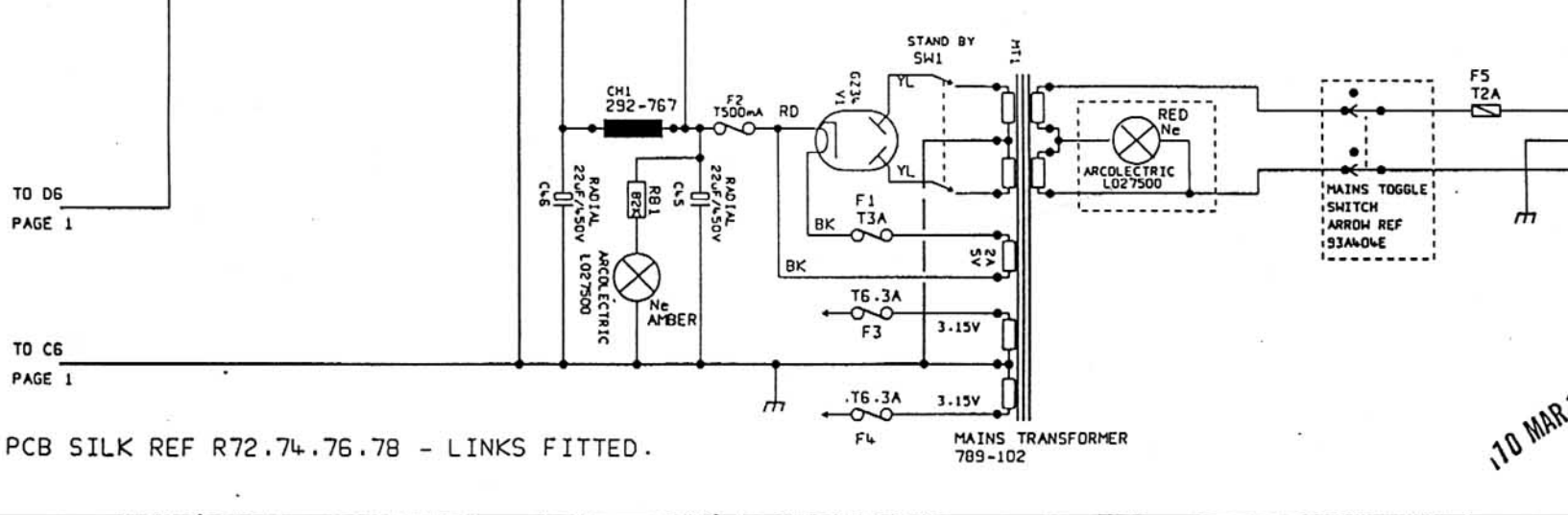
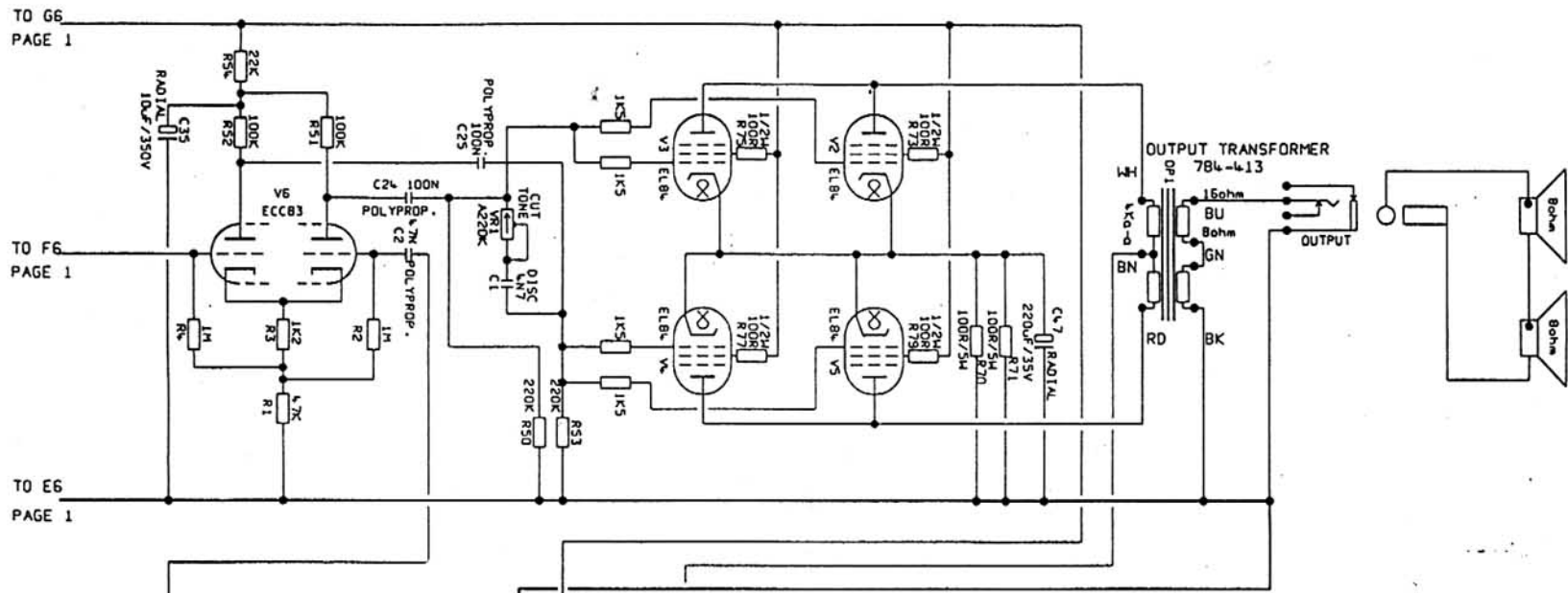


THIRD ANGLE PROJECTION

DWG. No AC30-60-02



PCB SILK REF R72.74.76.78 - LINKS FITTED.

170 MAR 1993

UNSPECIFIED HOLE DATA			MATERIAL		DIMENSIONS IN		TITLE	
A		H	MATERIAL THICKNESS		TOLERANCE (UNLESS OTHERWISE STATED)			AC30 TOP BOOST (SHT 2 OF 2)
B		J	INTERNAL BEND RADIUS		DIMENSIONAL			
C		K	EXTERNAL B.F.A.		CENTRES		DWG. No AC30-60-02	
D		L	BEND DIA.		ANGULAR			ISSUE 2
E		M	DRAWN S.G. DATE 10-8-92		MODEL			
F		N	CHECKED DATE					
G		P	APPROVED DATE					
2	0319	9/3/93	AC30 REISSUE		VOX		COPYRIGHT EXISTS ON THIS DOCUMENT. IT MUST NOT BE USED FOR ANY PURPOSES OTHER THAN THAT FOR WHICH IT IS SUPPLIED AND MUST NOT BE REPRODUCED OR TRANSMITTED IN ANY FORM WITHOUT WRITTEN PERMISSION FROM VOX TELECOMMUNICATIONS LTD. NUMBER: 93001555	
TEL: 061-861 1375 TELEFAX: 23178 80000 FAX: 061-861 1395								